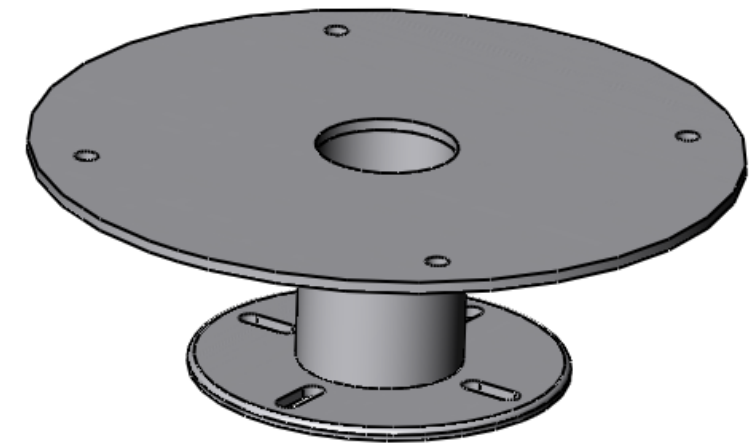


ITEM NO.	PART NUMBER	DESCRIPTION	QTY.
1	AM-M3 BASE (AMA BASE)	8 INCH AMA ADAPTER BASE	1
2	Round Tube (5 in tall)	4" ROUND TUBE	1
3	KVH 4 Std Top Plate	.25" plate for 18" Sat. Domes	1



PROPRIETARY AND CONFIDENTIAL
 THE INFORMATION CONTAINED IN THIS DRAWING IS THE SOLE PROPERTY OF <INSERT COMPANY NAME HERE>. ANY REPRODUCTION IN PART OR AS A WHOLE WITHOUT THE WRITTEN PERMISSION OF <INSERT COMPANY NAME HERE> IS PROHIBITED.

		UNLESS OTHERWISE SPECIFIED:				PYI, INC.	
		DIMENSIONS ARE IN INCHES		DRAWN		TITLE:	
		TOLERANCES:		CHECKED		AM-M5	
		FRACTIONAL ±		ENG APPR.		SIZE	
		ANGULAR: MACH ± BEND ±		MFG APPR.		DWG. NO.	
		TWO PLACE DECIMAL ±		Q.A.		REV	
		THREE PLACE DECIMAL ±		COMMENTS:		AM-M5	
		INTERPRET GEOMETRIC TOLERANCING PER:				SCALE: 1:4	
		MATERIAL				WEIGHT:	
		FINISH				SHEET 1 OF 1	
NEXT ASSY	USED ON	DO NOT SCALE DRAWING					