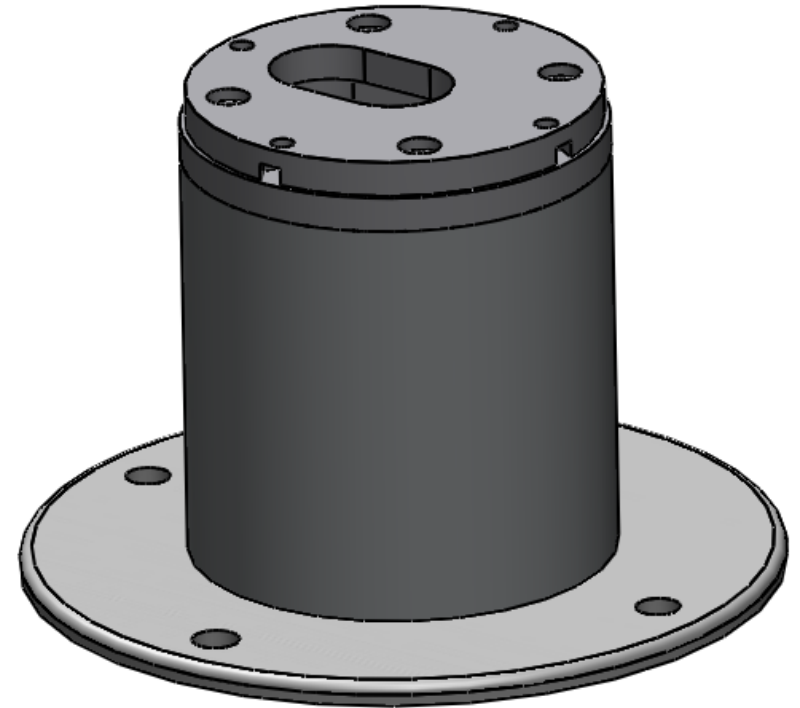
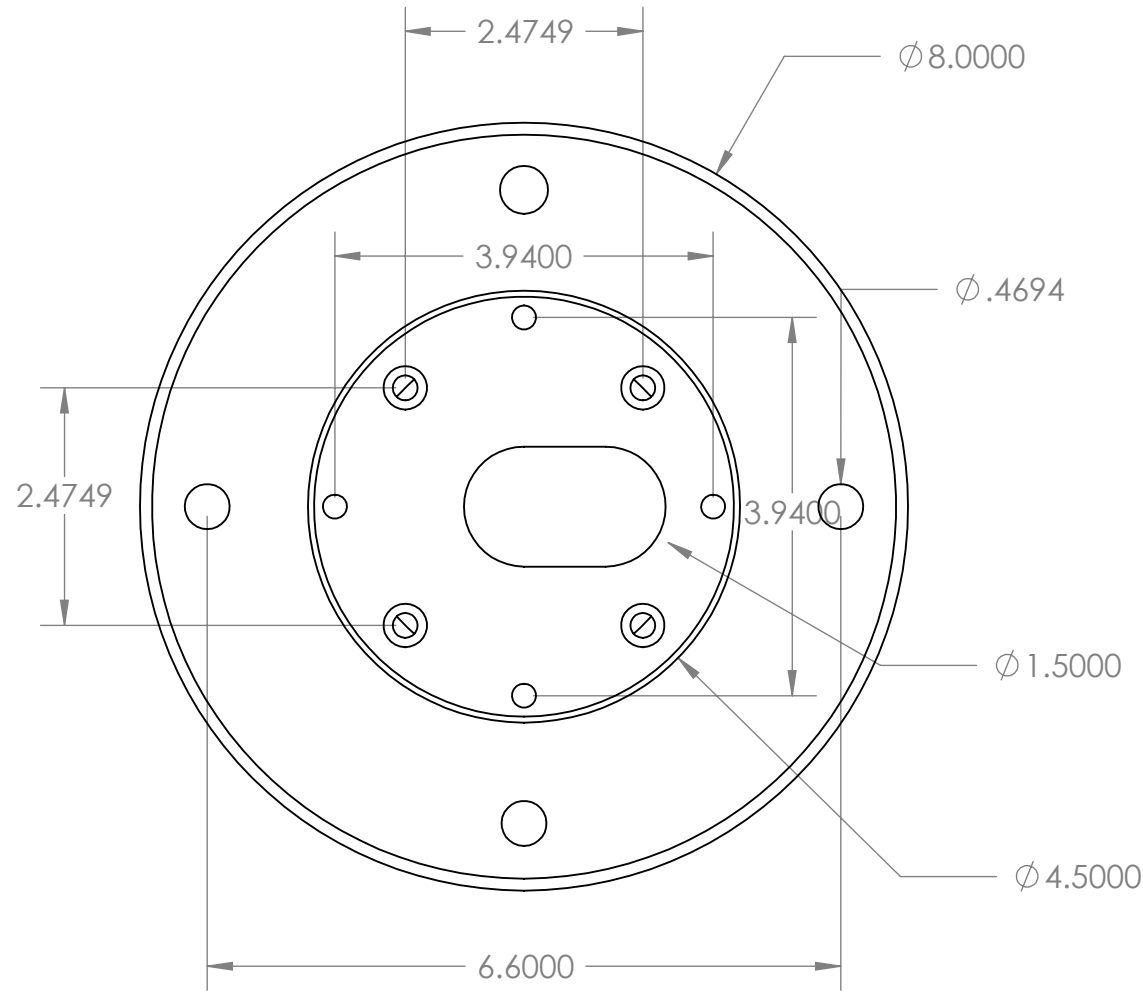


8 7 6 5 4 3 2 1

D

D

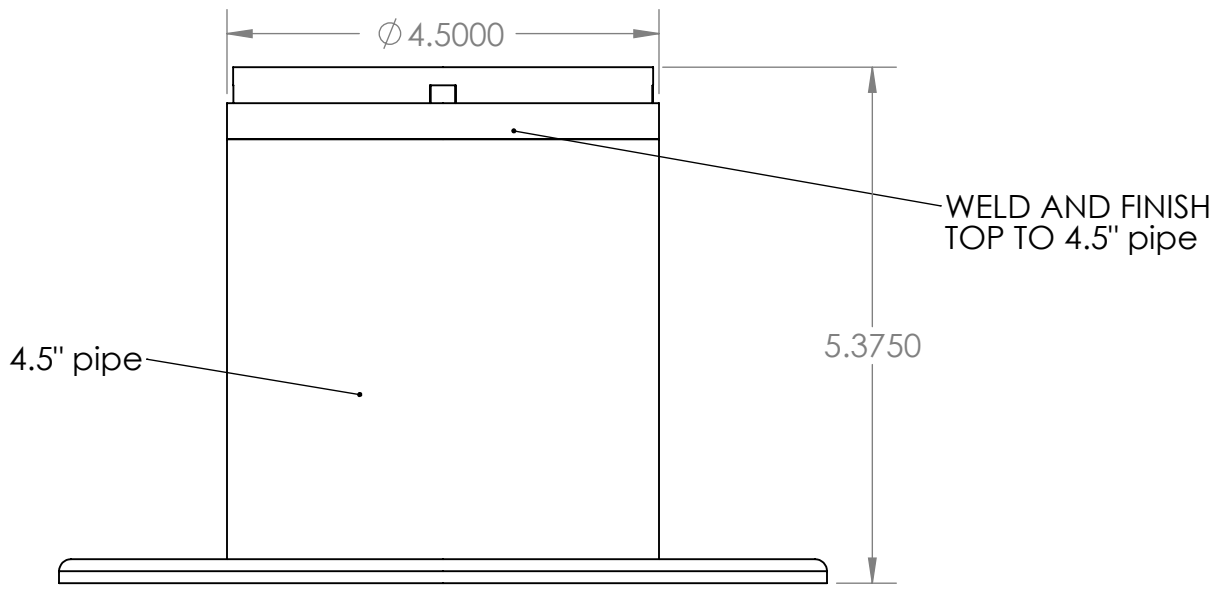


C

C

B

B



A

A

PROPRIETARY AND CONFIDENTIAL
 THE INFORMATION CONTAINED IN THIS DRAWING IS THE SOLE PROPERTY OF PYI, INC. ANY REPRODUCTION IN PART OR AS A WHOLE WITHOUT THE WRITTEN PERMISSION OF PYI, INC. IS PROHIBITED.

		UNLESS OTHERWISE SPECIFIED:	NAME	DATE	<p align="center">PYI, INC.</p> <p align="center">TITLE: 5" MOUNT FOR ACR 100</p> <p>SIZE B DWG. NO. PM5SL8 REV E</p> <p>SCALE: 1:2 WEIGHT: SHEET 1 OF 1</p>		
		DIMENSIONS ARE IN INCHES	DRAWN	JR			02.26.09
		TOLERANCES:	CHECKED				
		FRACTIONAL \pm	ENG APPR.				
		ANGULAR: MACH \pm BEND \pm	MFG APPR.				
		TWO PLACE DECIMAL \pm	Q.A.				
		THREE PLACE DECIMAL \pm	COMMENTS:				
		INTERPRET GEOMETRIC TOLERANCING PER:					
		MATERIAL					
NEXT ASSY	USED ON	FINISH					
APPLICATION		DO NOT SCALE DRAWING					

8 7 6 5 4 3 2 1