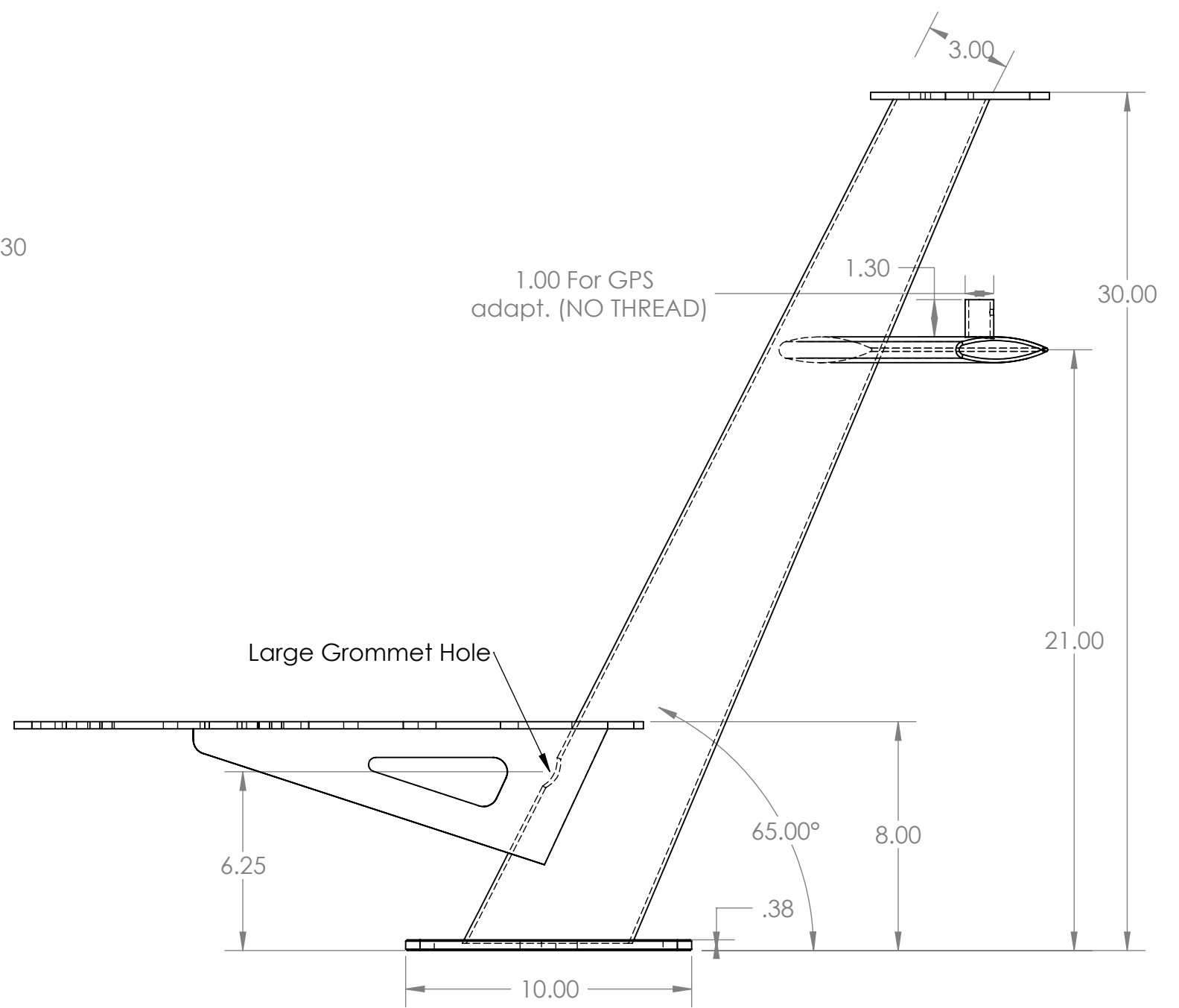
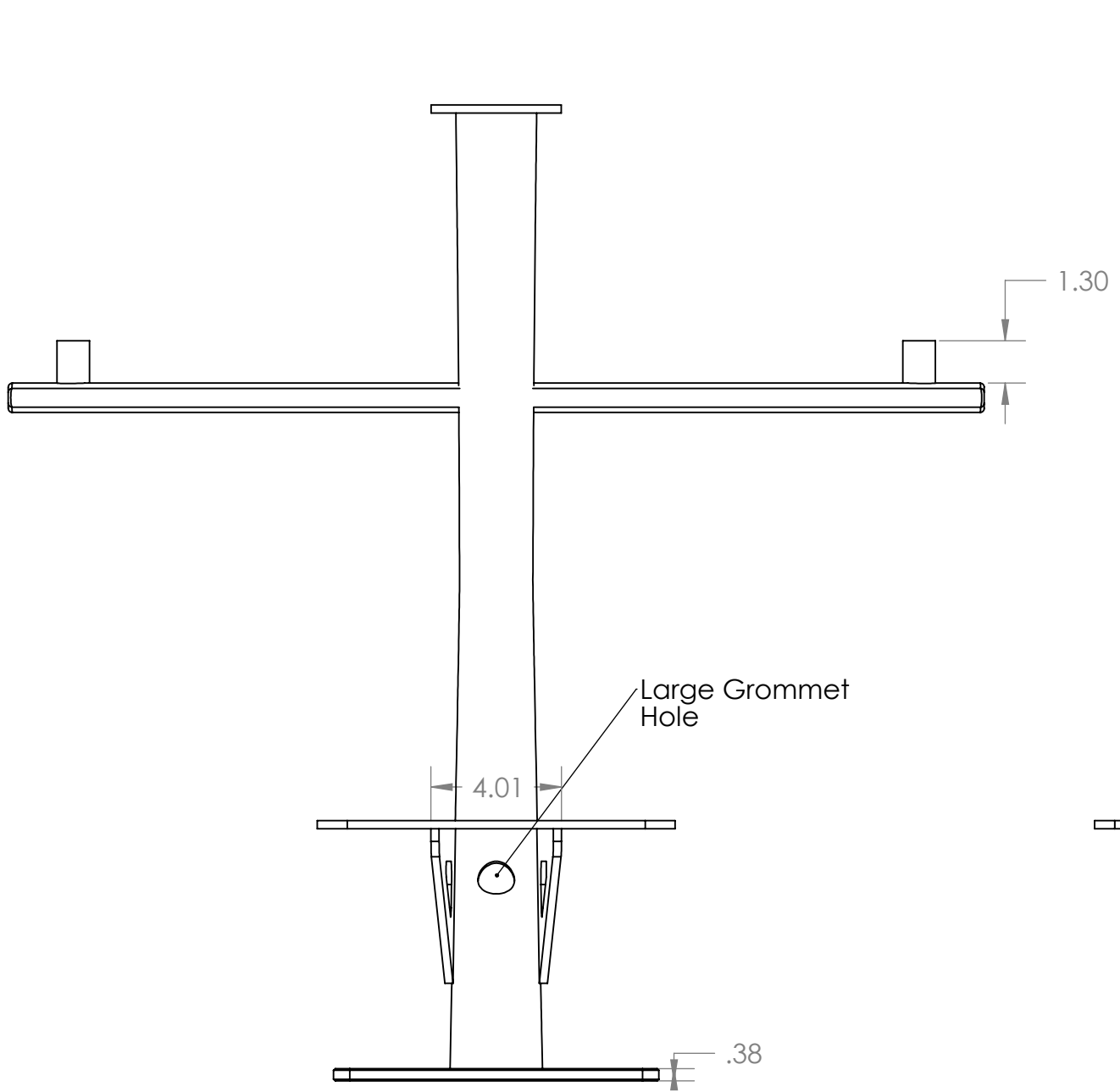


8 7 6 5 4 3 2 1

D
C
B
A



PROPRIETARY AND CONFIDENTIAL
 THE INFORMATION CONTAINED IN THIS DRAWING IS THE SOLE PROPERTY OF PYI, INC. ANY REPRODUCTION IN PART OR AS A WHOLE WITHOUT THE WRITTEN PERMISSION OF PYI, INC. IS PROHIBITED.

		UNLESS OTHERWISE SPECIFIED:		NAME	DATE	PYI, INC.			
		DIMENSIONS ARE IN INCHES		DRAWN	JR			08/25/06	
		TOLERANCES:		CHECKED			TITLE: 30" Tapered mast with spreaders		
		FRACTIONAL ±		ENG APPR.					
		ANGULAR: MACH ± BEND ±		MFG APPR.					
		TWO PLACE DECIMAL ±		Q.A.			SIZE	DWG. NO.	REV
		THREE PLACE DECIMAL ±		COMMENTS:			B	PMA-100	B
		INTERPRET GEOMETRIC TOLERANCING PER:					SCALE: 1:5	WEIGHT:	SHEET 1 OF 3
		MATERIAL							
		FINISH							
NEXT ASSY	USED ON	DO NOT SCALE DRAWING							

8 7 6 5 4 3 2 1