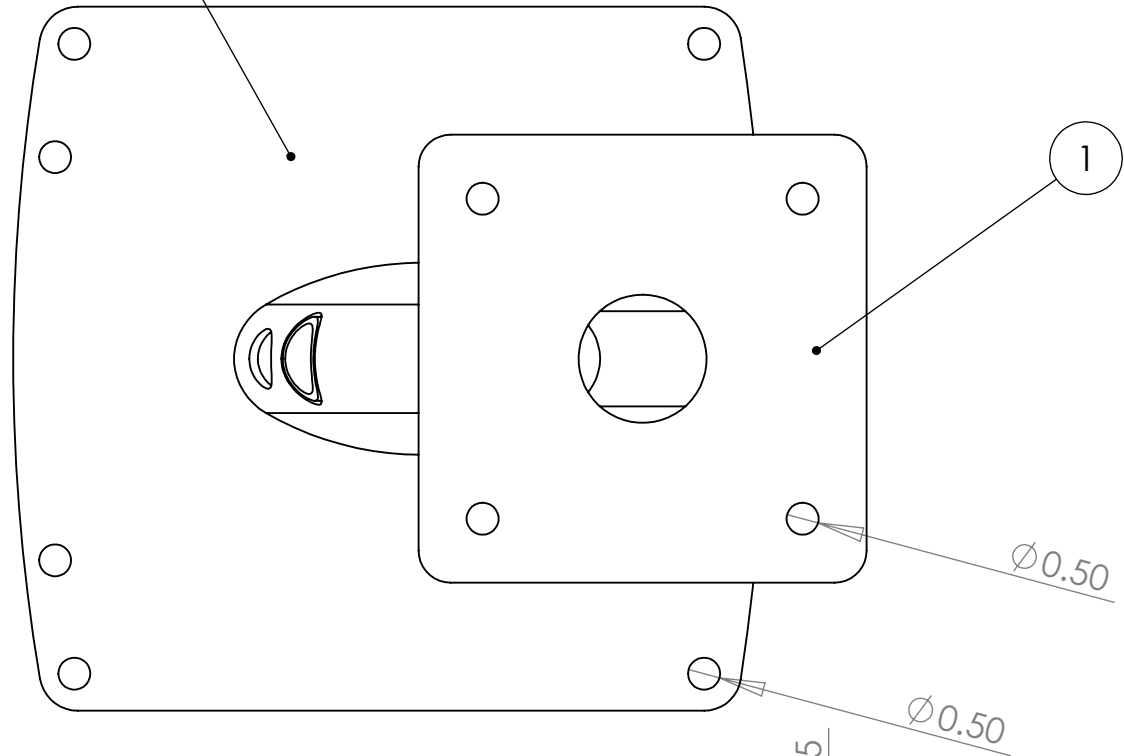


8 7 6 5 4 3 2 1

ITEM NO.	PART NUMBER	DESCRIPTION	QTY.
1	PM7 Base Plate 2.1	7" x 7" x 1/4" Base Plate	1
2	PM Extrusion 2.2	10" AFT Small Extrusion with LTB	1
3	PM Radar Plate 2.1	Power Mount Top Plate	1
4	LTB std socket	STD LTB SOCKET	1

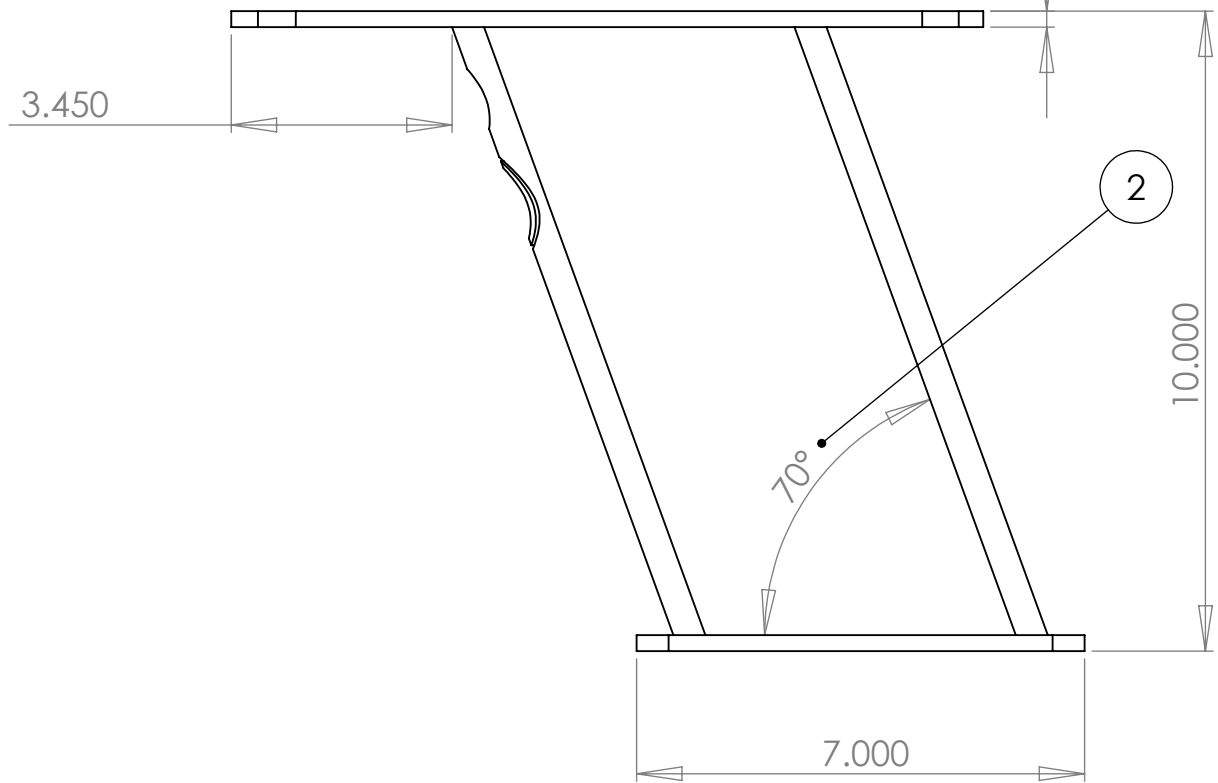
D

D



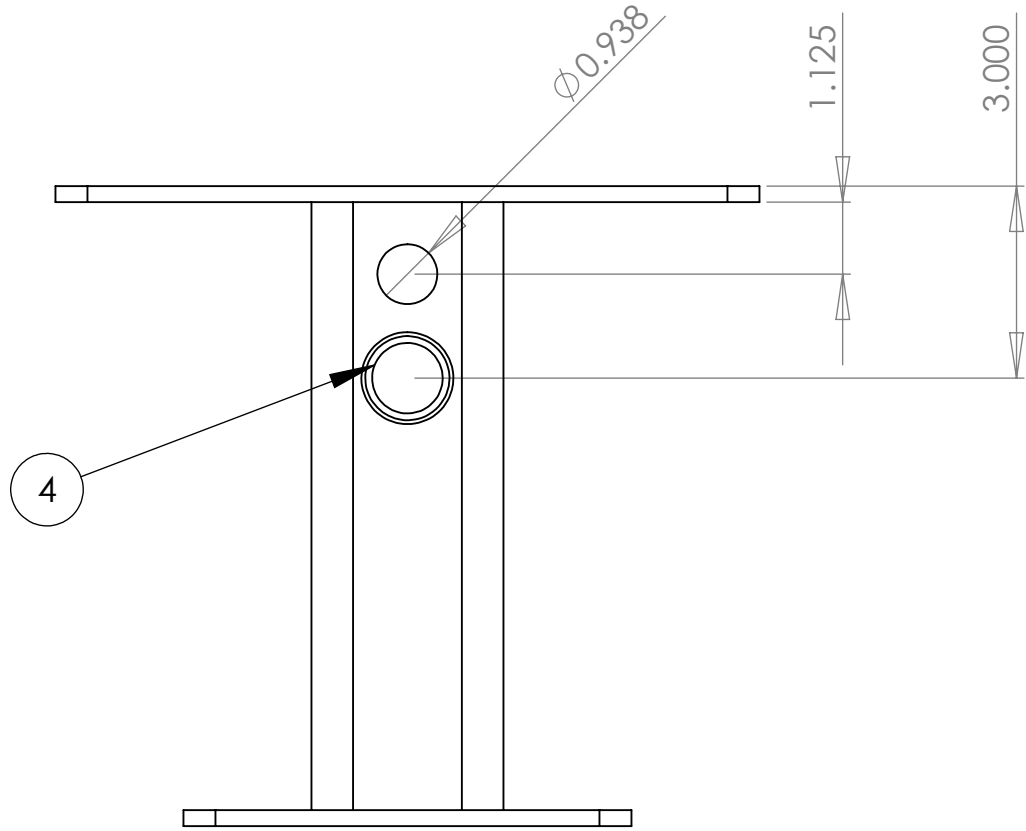
C

C



B

B



A

A

PROPRIETARY AND CONFIDENTIAL
 THE INFORMATION CONTAINED IN THIS DRAWING IS THE SOLE PROPERTY OF <INSERT COMPANY NAME HERE>. ANY REPRODUCTION IN PART OR AS A WHOLE WITHOUT THE WRITTEN PERMISSION OF <INSERT COMPANY NAME HERE> IS PROHIBITED.

		UNLESS OTHERWISE SPECIFIED:		NAME		DATE		PVI Inc.	
		DIMENSIONS ARE IN INCHES		DRAWN					
		TOLERANCES:		CHECKED				TITLE:	
		FRACTIONAL ±		ENG APPR.				10" Aft PM w/LTB	
		ANGULAR: MACH ± BEND ±		MFG APPR.				SIZE DWG. NO. REV	
		TWO PLACE DECIMAL ±		Q.A.				B PMA-10FJ-7L A	
		THREE PLACE DECIMAL ±		COMMENTS:				SCALE: 1:3 WEIGHT: 5.81 SHEET 1 OF 1	
		INTERPRET GEOMETRIC TOLERANCING PER:							
		MATERIAL							
NEXT ASSY		USED ON		FINISH					
APPLICATION				DO NOT SCALE DRAWING					

8 7 6 5 4 3 2 1