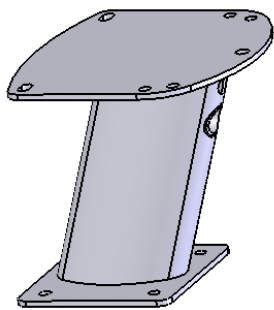
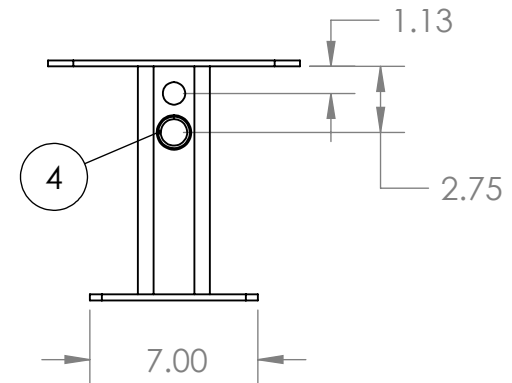
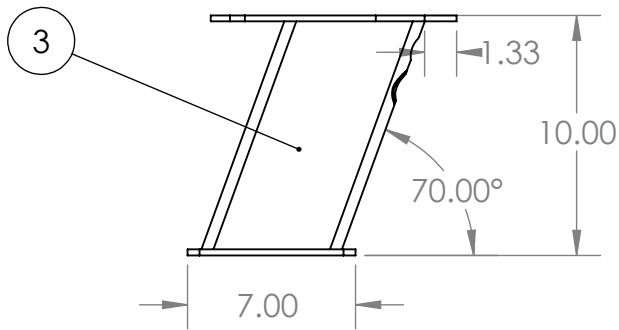


ITEM NO.	PART NUMBER	DESCRIPTION	Revision	QTY.
1	PM7 Base Plate 2.1	7" x 7" x 1/4" Base Plate	N/C	1
2	PM Radar Plate 1.1	1/4" top plate	N/C	1
3	PM Extrusion 2.2	10" AFT Small Extrusion with LTB	A	1
4	LTB std socket	STD LTB SOCKET	N/C	1



UNLESS OTHERWISE SPECIFIED:		NAME	DATE	PYI, INC.	
DIMENSIONS ARE IN INCHES TOLERANCES: FRACTIONAL ± ANGULAR: MACH ± BEND ± TWO PLACE DECIMAL ± THREE PLACE DECIMAL ±		DRAWN	JR 08/10/06		
INTERPRET GEOMETRIC TOLERANCING PER:		CHECKED		SIZE DWG. NO. REV A PMA-10R-7L	
MATERIAL		ENG APPR.			
FINISH		MFG APPR.			
DO NOT SCALE DRAWING		Q.A.			
		PROPRIETARY AND CONFIDENTIAL			
		THE INFORMATION CONTAINED IN THIS DRAWING IS THE SOLE PROPERTY OF PYI, INC. ANY REPRODUCTION IN PART OR AS A WHOLE WITHOUT THE WRITTEN PERMISSION OF PYI, INC IS PROHIBITED.			