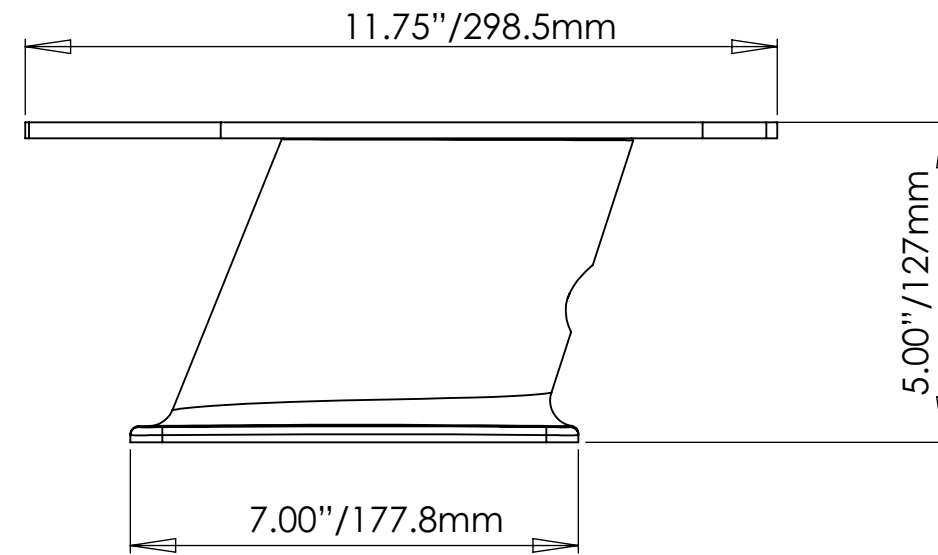
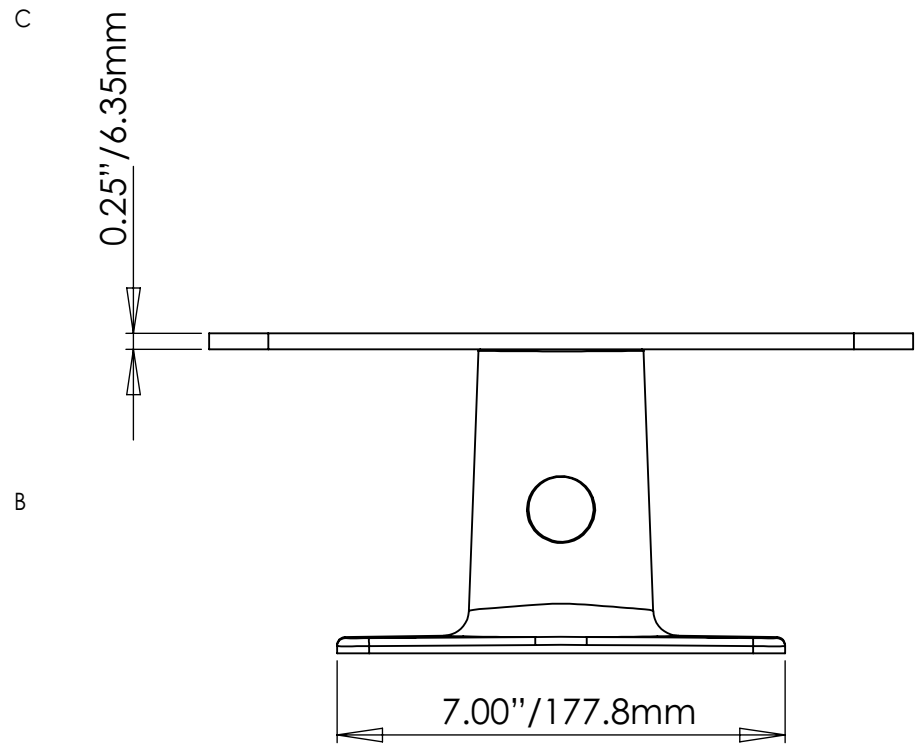


TOP PLATE FOR 2kW & 4kW DOMES



**PROPRIETARY AND CONFIDENTIAL**  
 THE INFORMATION CONTAINED IN THIS DRAWING IS THE SOLE PROPERTY OF PYI, INC. REPRODUCTION IN PART OR AS A WHOLE WITHOUT THE WRITTEN PERMISSION OF PYI, INC.

		UNLESS OTHERWISE SPECIFIED:		NAME	DATE
		DIMENSIONS ARE IN INCHES/mm		DRAWN	JR 10.03.07
		TOLERANCES:		CHECKED	
		FRACTIONAL ±		ENG APPR.	
		ANGULAR: MACH ± BEND ±		MFG APPR.	
		TWO PLACE DECIMAL ±		Q.A.	
		THREE PLACE DECIMAL ±		COMMENTS:	
		INTERPRET GEOMETRIC TOLERANCING PER:			
		MATERIAL			
		FINISH			
NEXT ASSY	USED ON				
WEIGHT:		SHEET 1 OF 1		DO NOT SCALE DRAWING	

**PYI, INC.** Beverly Park Rd  
 Lynnwood, WA 98087  
 Ph. 425-355-3669 Fax. 425-355-3661

TITLE:  
**5" AFT PWR MNT PLUS FOR GARMIN**

SIZE DWG. NO. REV  
**B PMA-5G-7L**

SCALE: 1:3 WEIGHT: SHEET 1 OF 1