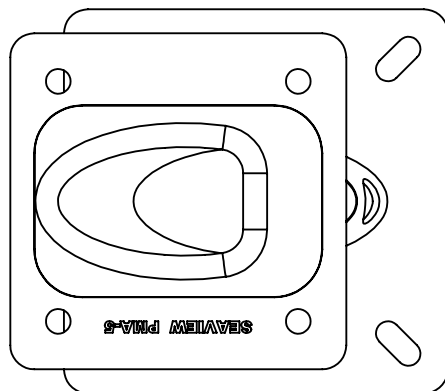
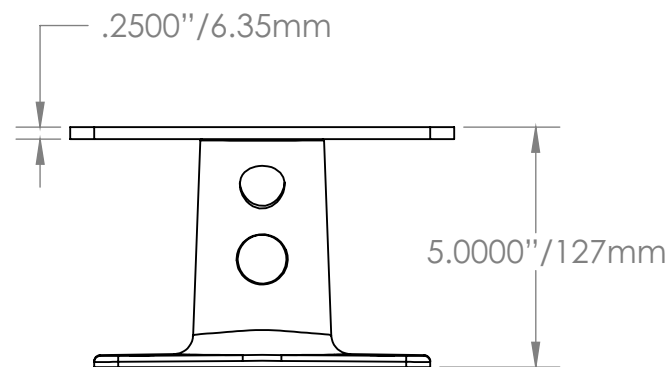
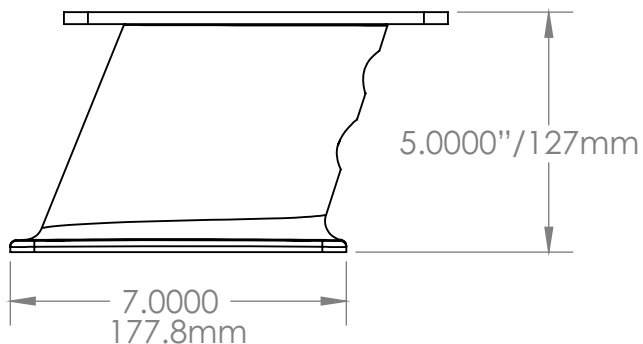
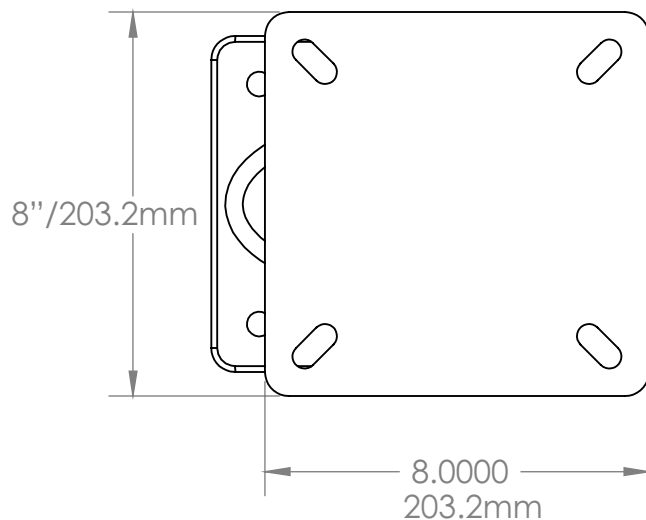


ITEM NO.	PART NUMBER	DESCRIPTION	Revision	QTY.
1	Die Cast PMA-5	DIE CAST 5" aft ltb version	A	1
2	PM Radar Plate 3.1	1/4" TOP PLATE (U)	A	1



UNLESS OTHERWISE SPECIFIED:		NAME	DATE	<b>PYI, INC.</b>
DIMENSIONS ARE IN INCHES/mm TOLERANCES: FRACTIONAL ± ANGULAR: MACH ± BEND ± TWO PLACE DECIMAL ± THREE PLACE DECIMAL ±	DRAWN	JR	12/01/06	
	CHECKED			
	ENG APPR.			
	MFG APPR.			
INTERPRET GEOMETRIC TOLERANCING PER:	Q.A.			TITLE: 5" Aft Power Mount for most 2KW Radomes
MATERIAL	<b>PROPRIETARY AND CONFIDENTIAL</b>			SIZE DWG. NO. REV
FINISH	THE INFORMATION CONTAINED IN THIS DRAWING IS THE SOLE PROPERTY OF PYI. REPRODUCTION IN PART OR AS A WHOLE WITHOUT THE WRITTEN PERMISSION OF PYI, INC.			<b>A</b> PMA-5U7-L N/C
DO NOT SCALE DRAWING				SCALE: 1:4

5

4

3

2

1