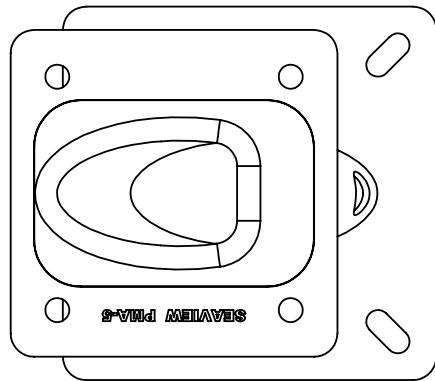
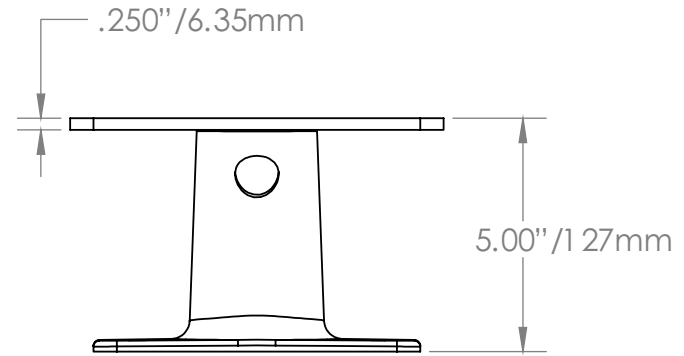
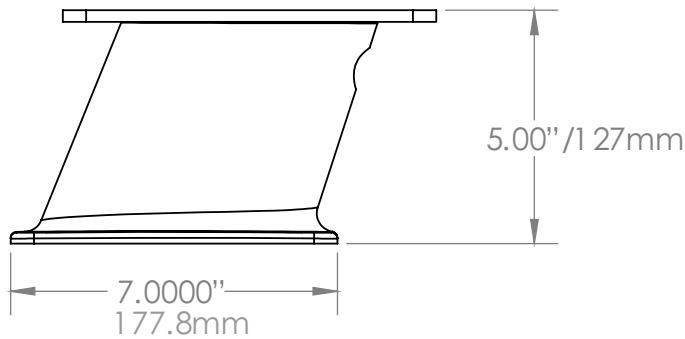
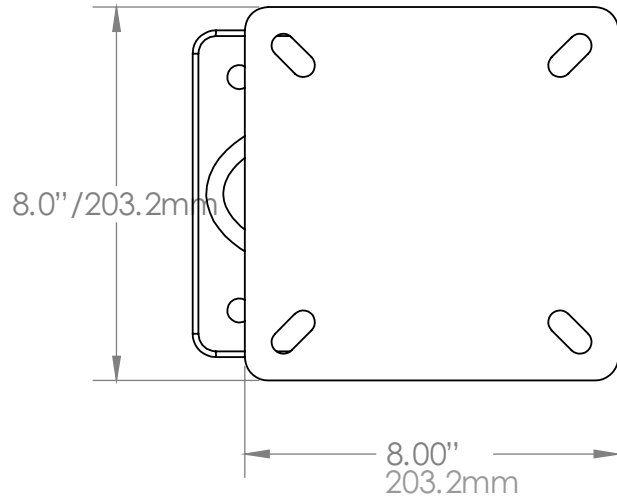


ITEM NO.	PART NUMBER	DESCRIPTION	Revision	QTY.
1	Die Cast PMA-5	DIE CAST 5"/1 27mm aft version	A	1
2	PM Radar Plate 3.1	1/4"/6.35mm TOP PLATE (U)	A	1



UNLESS OTHERWISE SPECIFIED:		NAME	DATE	<b>PYI, INC.</b>
DIMENSIONS ARE IN INCHES/mm		DRAWN	JR	
TOLERANCES:		CHECKED		TITLE: 5"/1 27mm Aft Power Mount for most 2KW Radomes
FRACTIONAL ±		ENG APPR.		
ANGULAR: MACH ± BEND ±		MFG APPR.		
TWO PLACE DECIMAL ±		Q.A.		SIZE DWG. NO. REV
THREE PLACE DECIMAL ±		<b>PROPRIETARY AND CONFIDENTIAL</b>		<b>A</b> PMA-5U7 N/C
INTERPRET GEOMETRIC TOLERANCING PER:		THE INFORMATION CONTAINED IN THIS DRAWING IS THE SOLE PROPERTY OF PYI. REPRODUCTION IN PART OR AS A WHOLE WITHOUT THE WRITTEN PERMISSION OF PYI, INC.		SCALE: 1:4 WEIGHT: SHEET 1 OF 1
MATERIAL				
FINISH				
DO NOT SCALE DRAWING				

5

4

3

2

1