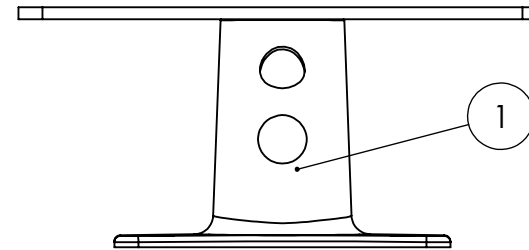
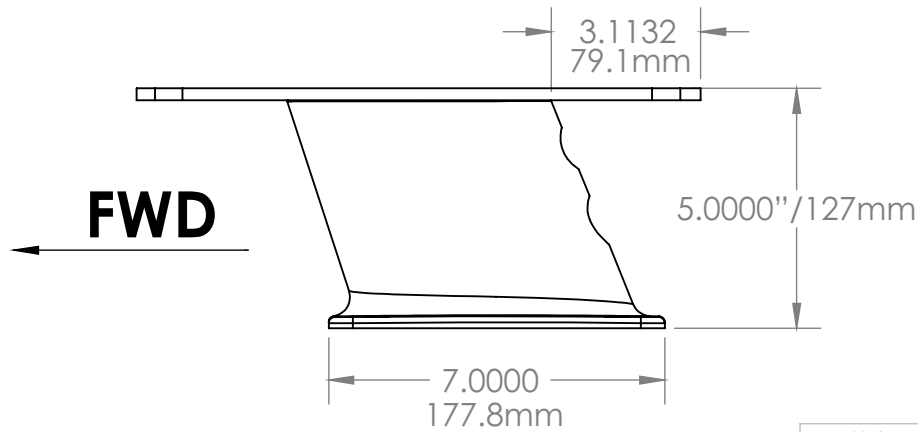
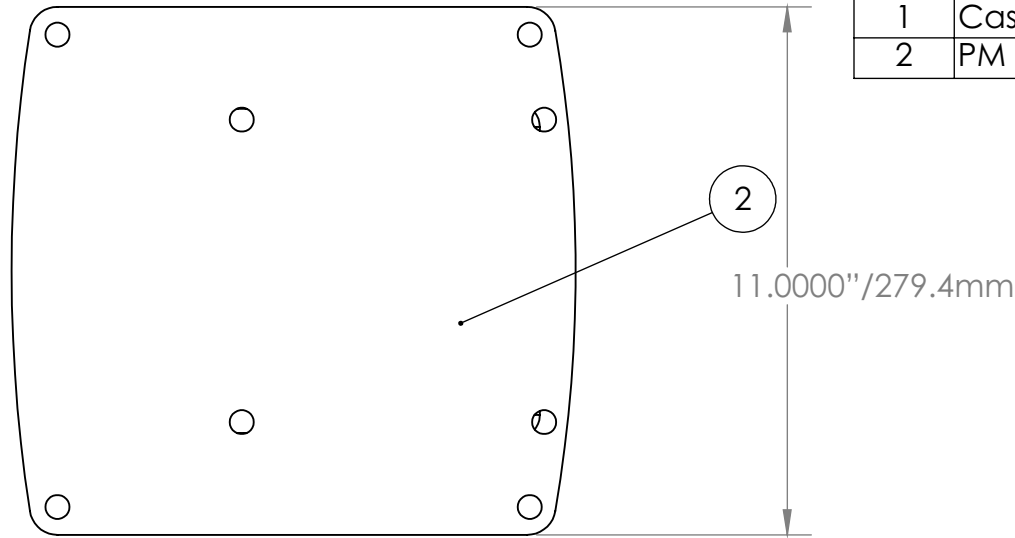


ITEM NO.	PART NUMBER	DESCRIPTION	QTY.
1	Cast PMF-5	DIE CAST 5" FWD Itb version	1
2	PM Radar Plate 2.1	Power Mount Top Plate	1



UNLESS OTHERWISE SPECIFIED: DIMENSIONS ARE IN INCHES/mm TOLERANCES: FRACTIONAL ± ANGULAR: MACH ± BEND ± TWO PLACE DECIMAL ± THREE PLACE DECIMAL ± INTERPRET GEOMETRIC TOLERANCING PER: MATERIAL FINISH DO NOT SCALE DRAWING	NAME	DATE	PYI, INC. TITLE: 5" FWD PWR MNT PLUS FOR FURUNO/ JRC 24" DOMES SIZE DWG. NO. REV A PMF-5FJ-7L N/C SCALE: 1:4 WEIGHT: SHEET 1 OF 1	
	DRAWN	JR		01.07.08
	CHECKED			
	ENG APPR.			
	MFG APPR.			
	Q.A.			
	PROPRIETARY AND CONFIDENTIAL			
	THE INFORMATION CONTAINED IN THIS DRAWING IS THE SOLE PROPERTY OF PYI, INC. REPRODUCTION IN PART OR AS A WHOLE WITHOUT THE WRITTEN PERMISSION OF PYI, INC.			