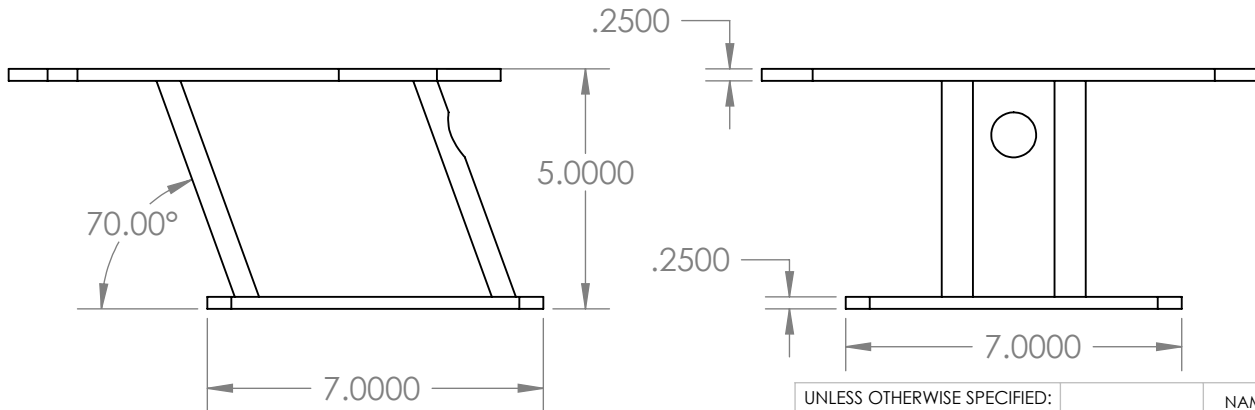
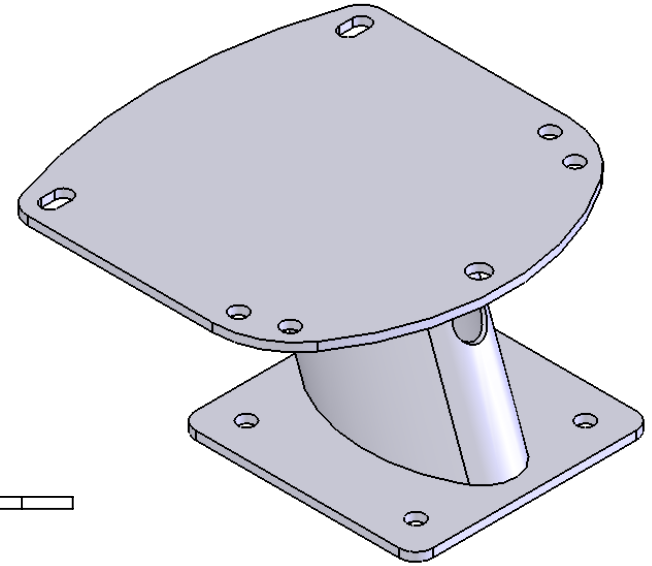
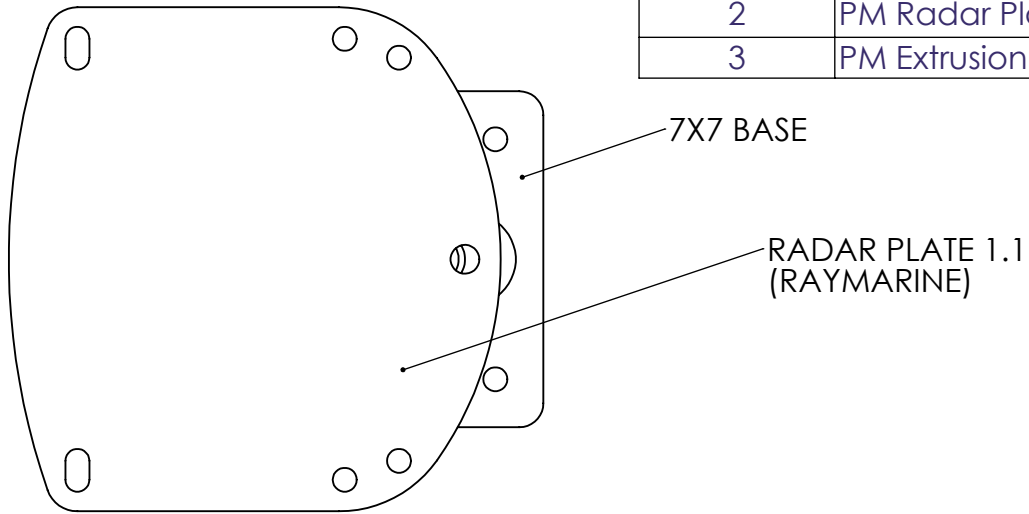


ITEM NO.	PART NUMBER	DESCRIPTION	QTY.
1	PM7 Base Plate 2.1	7" x 7" x 1/4" Base Plate	1
2	PM Radar Plate 1.1	1/4" top plate	1
3	PM Extrusion 3.1	5" FWD Extrusion	1



UNLESS OTHERWISE SPECIFIED:		NAME	DATE	PYI, INC.	
DIMENSIONS ARE IN INCHES		DRAWN	JR		
TOLERANCES:		CHECKED			TITLE:
FRACTIONAL ±		ENG APPR.			5" FWD PWR MNT TO FIT
ANGULAR: MACH ± BEND ±		MFG APPR.			RAYMARINE
TWO PLACE DECIMAL ±		Q.A.			
THREE PLACE DECIMAL ±		PROPRIETARY AND CONFIDENTIAL			
INTERPRET GEOMETRIC TOLERANCING PER:					
MATERIAL					
FINISH					
DO NOT SCALE DRAWING		THE INFORMATION CONTAINED IN THIS DRAWING IS THE SOLE PROPERTY OF PYI, INC. ANY REPRODUCTION IN PART OR AS A WHOLE WITHOUT THE WRITTEN PERMISSION OF PYI, INC IS PROHIBITED.			SIZE DWG. NO. REV
		A PMF-5R-7			
		SCALE: 1:4	WEIGHT:	SHEET 1 OF 1	