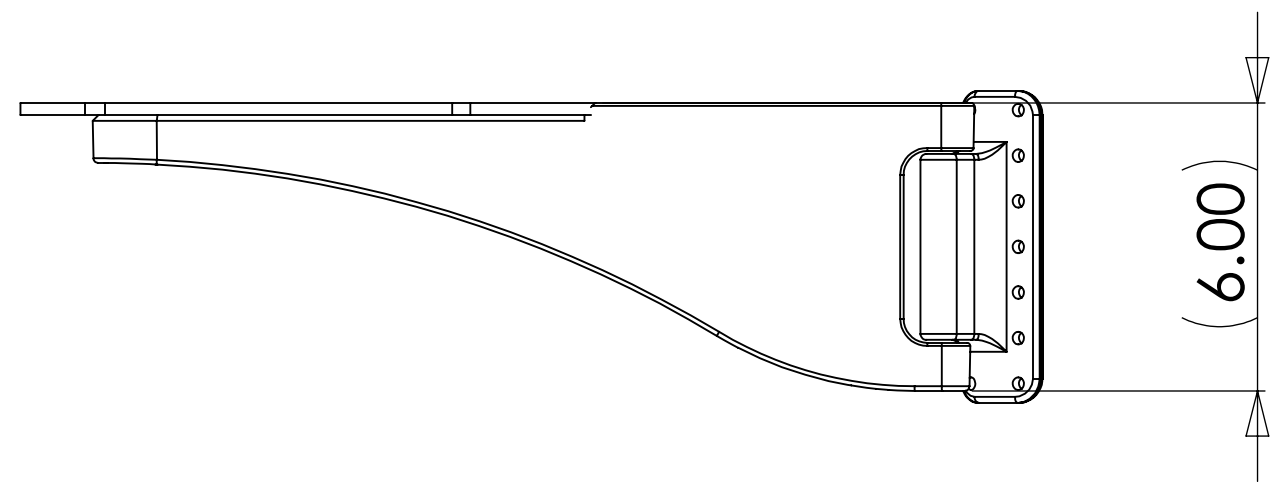
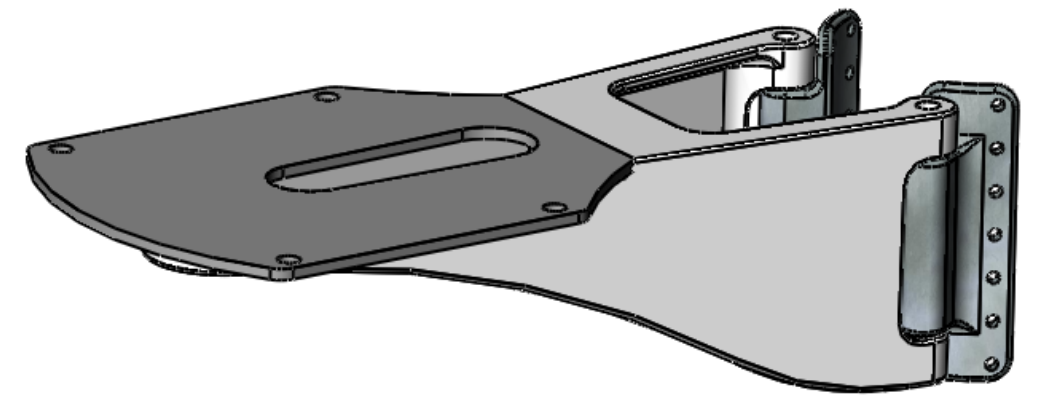
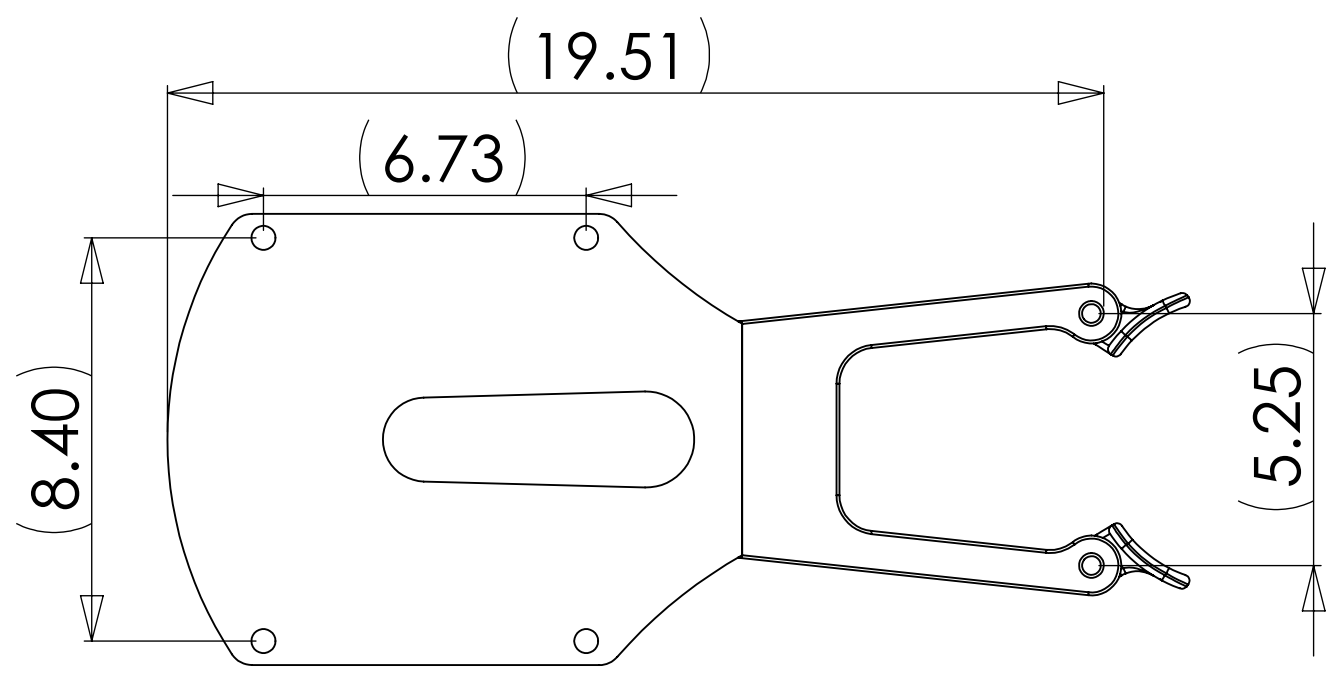


8 7 6 5 4 3 2 1

D
C
B
A



PROPRIETARY AND CONFIDENTIAL
 THE INFORMATION CONTAINED IN THIS DRAWING IS THE SOLE PROPERTY OF PYI, INC. ANY REPRODUCTION IN PART OR AS A WHOLE WITHOUT THE WRITTEN PERMISSION OF PYI, INC. IS PROHIBITED.

		UNLESS OTHERWISE SPECIFIED:		NAME	DATE	PYI, INC. 12532 Beverly Park Rd. Lynnwood, WA 98087	
		DIMENSIONS ARE IN INCHES TOLERANCES: FRACTIONAL ± ANGULAR: MACH ± BEND ± TWO PLACE DECIMAL ± THREE PLACE DECIMAL ±		DRAWN	J.A.	02.09.09	TITLE:
		INTERPRET GEOMETRIC TOLERANCING PER:		CHECKED			Mast Platform
		MATERIAL		ENG APPR.			
		FINISH		MFG APPR.			SIZE DWG. NO. REV
NEXT ASSY	USED ON	DO NOT SCALE DRAWING		Q.A.			B SM-25-N
APPLICATION				COMMENTS:			SCALE: 1:3 WEIGHT: SHEET 1 OF 1

8 7 6 5 4 3 2 1