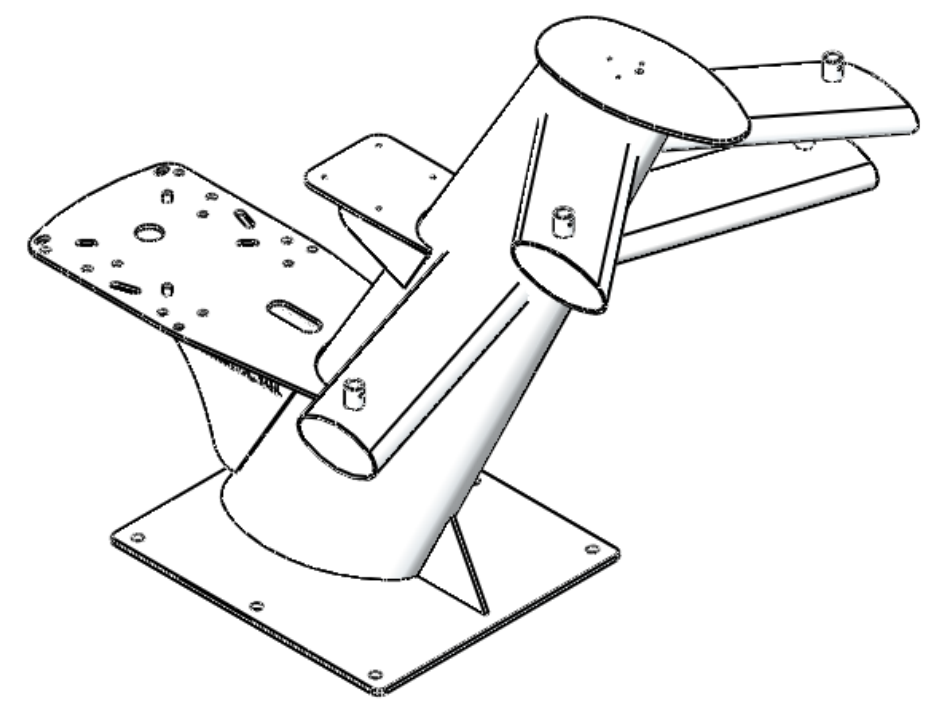
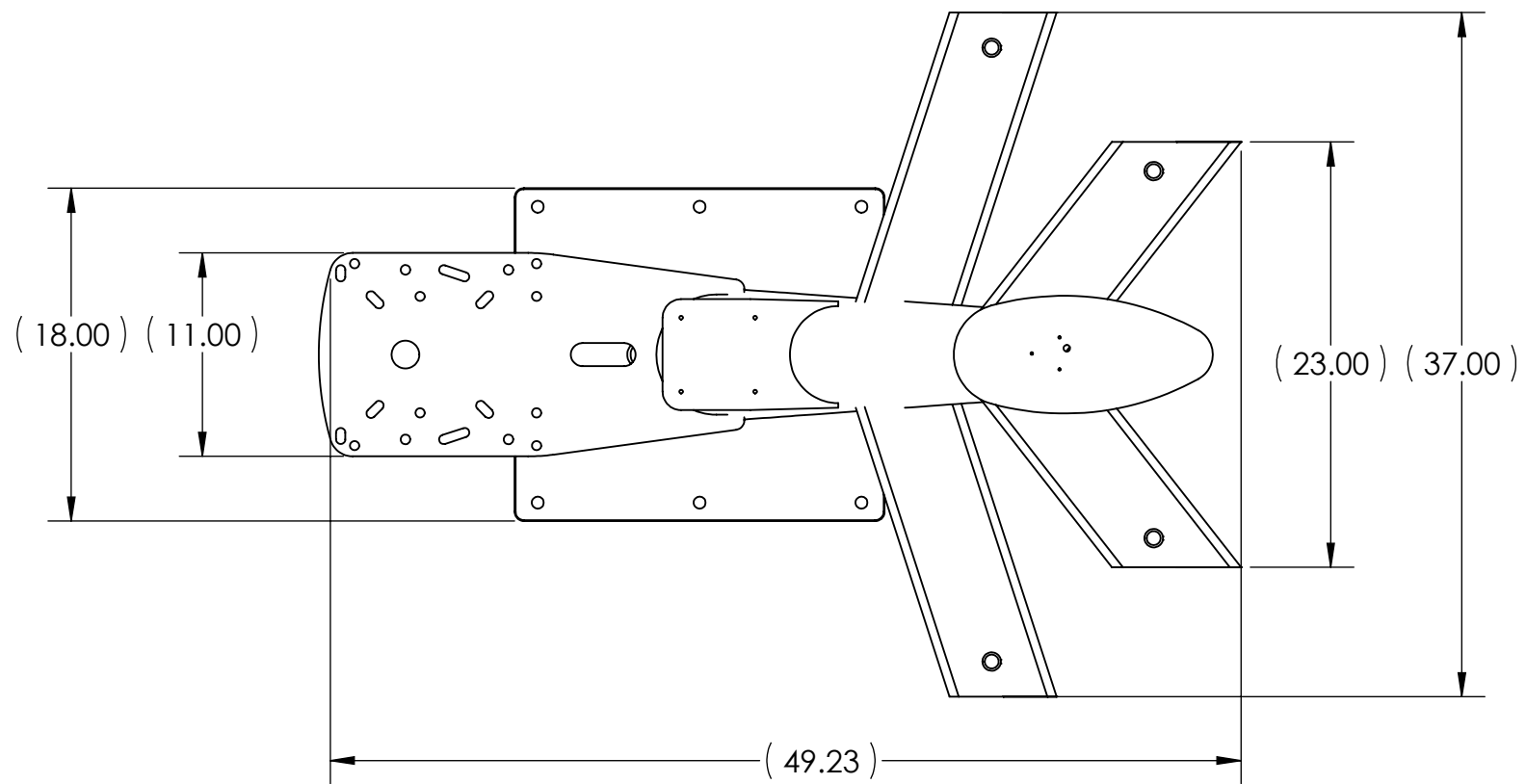
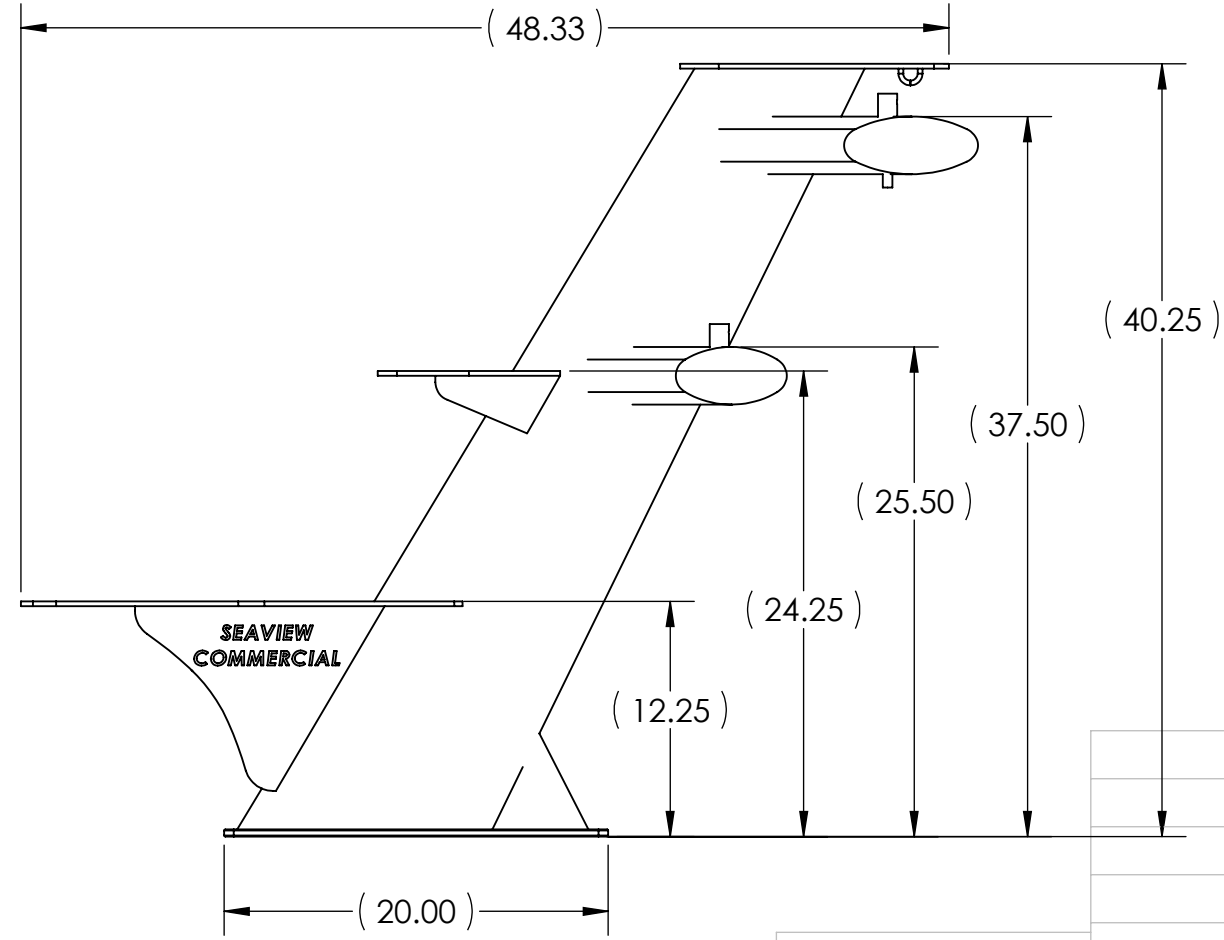


8 7 6 5 4 3 2 1

D
C
B
A



D
C
B
A



PROPRIETARY AND CONFIDENTIAL
THE INFORMATION CONTAINED IN THIS DRAWING IS THE SOLE PROPERTY OF PYI, INC. ANY REPRODUCTION IN PART OR AS A WHOLE WITHOUT THE WRITTEN PERMISSION OF PYI, INC. IS PROHIBITED.

		UNLESS OTHERWISE SPECIFIED:		NAME		DATE		PYI, INC.		12532 Beverly Park Rd. Lynnwood, WA 98087	
		DIMENSIONS ARE IN INCHES		DRAWN		JA		08.07.08		TITLE:	
		TOLERANCES:		CHECKED						WORKBOAT MAST	
		FRACTIONAL ±		ENG APPR.						SIZE	
		ANGULAR: MACH ± BEND ±		MFG APPR.						DWG. NO.	
		TWO PLACE DECIMAL ±		Q.A.						Workboat mast	
		THREE PLACE DECIMAL ±		COMMENTS:						REV	
		INTERPRET GEOMETRIC TOLERANCING PER:								SCALE: 1:20	
		MATERIAL								WEIGHT:	
		FINISH								SHEET 1 OF 1	
NEXT ASSY		USED ON									
APPLICATION		DO NOT SCALE DRAWING									

8 7 6 5 4 3 2 1